

PARTS LIST

Strato-Charged BACKPACK BLOWER

EBZ4800

NOTE :

1. Use KOMATSU ZENOAH genuine parts specified in the parts list for repair and/or replacement.
2. KOMATSU ZENOAH does not warrant the machines, those which have been damaged by the use of any parts other than those specified by the company.
3. When placing orders of parts for repair and/or replacement, check if the model name and the serial number are suitable to those specified in the parts list, then use parts number described in the parts list.
4. The contents described in the parts list may change due to improvement.
5. The parts for the machine shall be supplied within ten (10) years after the machine is discontinued.
[It is possible that some specific parts may be subject to change of their delivery term and list price within the limit of ten (10) years after the machine is discontinued. And it is also possible that some parts may be available even after the limit of ten (10) years.]

Fig.1 BLOWER GROUP (S/N 200101 and up)

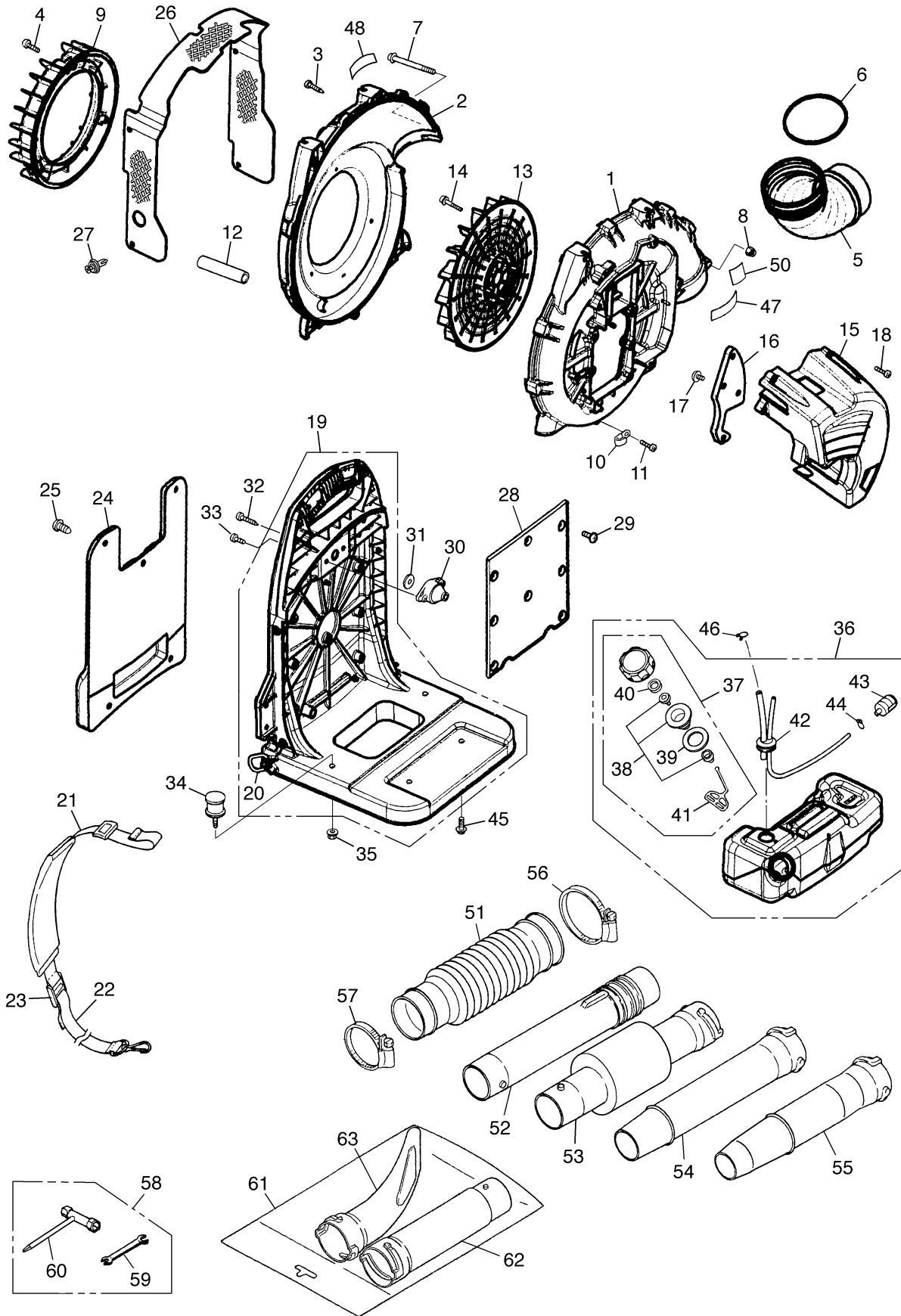


Fig.1 BLOWER GROUP (S/N 200101 and up)

Key#	PART NUMBER	DESCRIPTION	Q'TY /UNIT	NOTE	Key#	PART NUMBER	DESCRIPTION	Q'TY /UNIT	NOTE
1	T4017-31110	VOLUTE CASE	1		53	T4017-51300	PIPE, SILENCER	1	
2	T4017-31210	VOLUTE COVER	1		54	6811-51220	PIPE, END	1	
3	T4970-52510	SCREW	10		55	2756-51220	PIPE, END	1	
4	T4970-52510	SCREW	3		56	2756-51510	CLAMP	1	
5	3490-11150	ELBOW	1		57	2756-51520	CLAMP	1	
6	07000-02095	O-RING	1		58	T4017-91000	TOOL SET	1	
7	T4960-57030	SCREW	2		59	3540-91120	• SPANNER	1	
8	3310-53331	NUT	2		60	T4017-91130	• SOCKET	1	
9	T4017-31310	FUNNEL	1		61	6811-51200	FLAT NOZZLE SET	1	*Acc
10	1140-72231	CLAMP	1		62	6811-51211	PIPE	1	*Acc
11	T4970-51410	SCREW	1		63	6811-51230	FLAT NOZZLE	1	*Acc
12	2750-31290	TUBE	1						
13	T4017-31510	FAN	1						
14	T4950-63031	BOLT	4						
15	T4017-31600	ENGINE COVER-A	1						
16	T4017-31620	GLASS WOOL	1						
17	T4970-50831	SCREW	4						
18	T4970-52510	SCREW	5						
19	T4017-32100	FLAME-C	1						
20	3490-21121	• RING	2						
21	2756-32310	BAND (A)	2						
22	T4017-32320	BAND (B)	2						
23	2756-32910	BUCKLE	2						
24	T4017-21310	PAD	1						
25	3495-21320	CLIP	5						
26	T4017-32500	NET-C	1						
27	1480-74710	CLIP	4						
28	T4017-32600	PLATE	1						
29	T4970-50831	SCREW	7						
30	2750-32510	DAMPER, UPPER	1						
31	2750-32520	WASHER	1						
32	T4972-54010	SCREW	1						
33	T4960-51631	SCREW	2						
34	2750-32610	DAMPER, LOWER	2						
35	2750-32620	NUT	2						
36	T4017-85100	TANK ASSY	1						
37	T1015-85202	• CAP-A	1						
38	4500-85300	•• HOLDER-A	1						
39	4500-85220	•• PACKING	1						
40	5601-85260	•• FILTER	1						
41	4820-85260	•• STOPPER	1						
42	2750-85300	• PIPE COMP	1						
43	3302-85400	• FILTER	1						
44	1260-85460	• CLIP	1						
45	T4960-51231	SCREW	2						
46	1950-86120	CLIP	1						
47	3436-91170	LABEL, CAUTION	1						
48	T2990-21040	LABEL, NET	1						
50	T4017-31920	LABEL, NOISE	1						
51	T4017-51110	HOSE	1						
52	2750-51200	SWIVEL JOINT	1						

*Acc: Accessory, which is not included in standard package.

Fig.2 ENGINE GROUP (S/N 200101 and up)

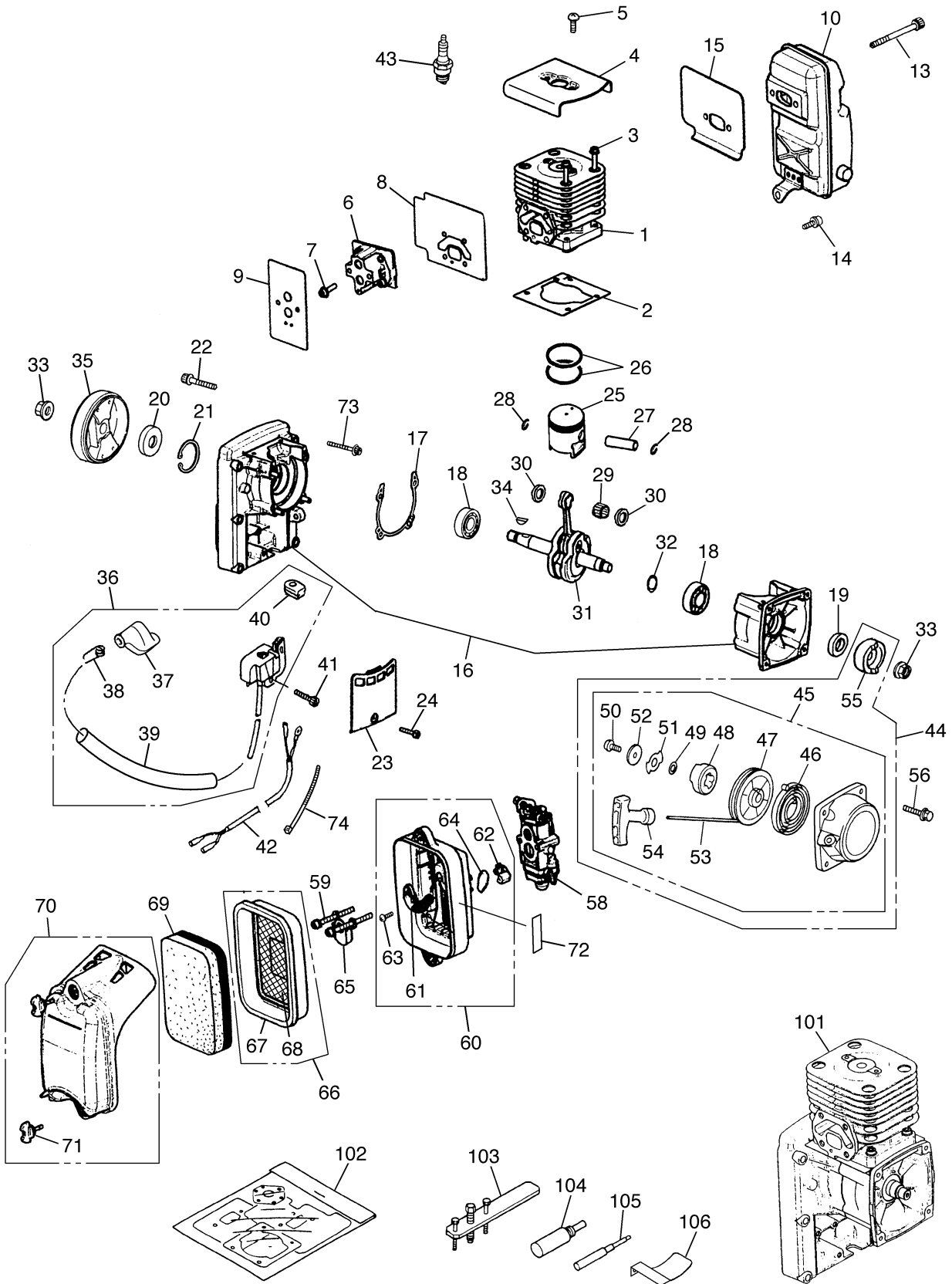
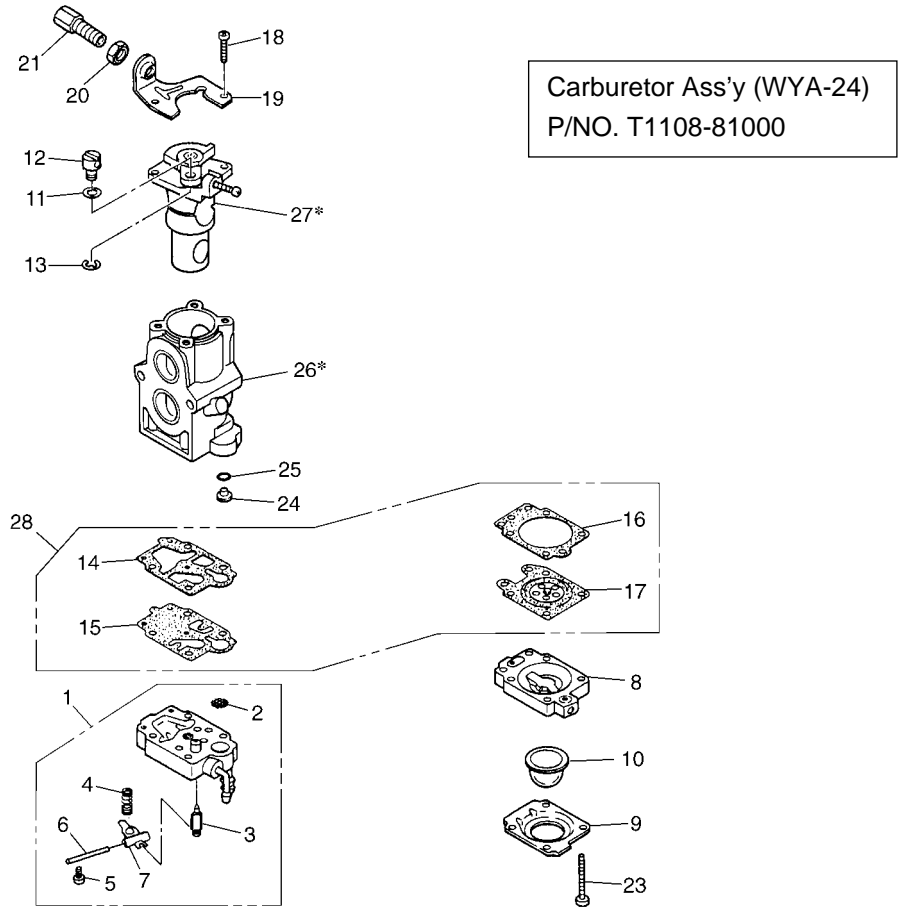


Fig.2 ENGINE GROUP (S/N 200101 and up)

Key#	PART NUMBER	DESCRIPTION	Q'TY /UNIT	NOTE	Key#	PART NUMBER	DESCRIPTION	Q'TY /UNIT	NOTE
1	T1108-12110	CYLINDER	1		54	1400-75170	•• KNOB	1	
2	T1108-12210	GASKET, BASE	1		55	1487-75211	• PULLEY	1	
3	4820-12130	BOLT	4		56	T4960-51431	SCREW	4	
4	T1108-12310	PLATE	1		58	T1108-81000	CARBURETOR	1	
5	T4960-50810	SCREW	2		59	T4950-56240	BOLT	2	
6	T1108-13160	INSULATOR	1		60	T1108-82100	BODY-A	1	
7	T4950-52030	BOLT	4		61	T1108-82130	• PLATE, CHOKE	1	
8	T1108-13120	GASKET, INSU	1		62	T1108-82140	• LEVER	1	
9	T1108-13130	GASKET, CARB	1		63	T1108-82190	• SCREW	1	
10	T1108-15110	MUFFLER	1		64	T1108-82180	• O-RING	1	
13	T4950-67031	BOLT	2		65	T1108-82150	PLATE	1	
14	T4950-61431	BOLT	1		66	T1108-82300	PACKING-C	1	
15	T1108-15210	GASKET, MUFF	1		67	T1108-82310	• PACKING	1	
16	T1108-21100	CRANKCASE-C	1		68	T1108-82320	• SCREEN	1	
17	T1108-21140	GASKET, CASE	1		69	T1108-82170	ELEMENT	1	
18	T4012-21240	BEARING	2		70	T1108-82200	COVER-A	1	
19	T4019-21210	SEAL	1		71	T1108-82220	• KNOB	2	
20	T1108-21220	SEAL	1		72	T1108-82060	LABEL, CHOKE	1	
21	04065-03515	SNAPRING	1		73	T4950-64031	BOLT	6	
22	4820-21310	BOLT	4		74	6129-61210	BAND	1	
23	2750-21211	COVER, MAG	1		101	T1108-05010	SHORT BLOCK	1	*Acc
24	4820-72150	BOLT	1		102	T1108-06010	GASKET KIT	1	*Acc
25	T1108-41110	PISTON	1		103	2750-96100	PULLER	1	*Acc
26	2670-41211	RING, PISTON	2		104	4810-96220	STOPPER	1	*Acc
27	2880-41310	PIN	1		105	2750-96230	GUIDE	1	*Acc
28	3350-41320	SNAPRING	2		106	2750-96240	GAUGE	1	*Acc
29	1400-41410	BEARING	1						
30	2616-41510	WASHER	2						
31	T1108-42000	CRANKSHAFT-C	1						
32	1300-42410	SHIM	1						
33	1400-43230	NUT	2						
34	1000-43240	KEY	1						
35	T1108-71110	ROTOR	1						
36	T1108-71200	COIL-A	1						
37	T1108-72110	• CAP	1						
38	T1108-72120	• SPRING	1						
39	T1108-72130	• TUBE	1						
40	5500-72130	• GROMMET	1						
41	4820-72150	BOLT	2						
42	T1108-71240	CORD COMP	1						
43	T1108-73110	SPARK PLUG	1	NGK CMR7H					
44	1487-75001	STARTER-A	1						
45	1487-75101	• RECOIL-A	1						
46	1180-75221	•• SPRING	1						
47	1487-75120	•• REEL	1						
48	1487-75140	•• DOG	1						
49	1861-75150	•• WASHER	1						
50	1483-75270	•• SCREW	1						
51	1487-75160	•• RETAINER	1						
52	1487-75170	•• WASHER	1						
53	1400-75160	•• ROPE	1						

*Acc: Accessory, which is not included in standard package.

Fig.3 CARBURETOR COMPONENTS (S/N 200101 and up)

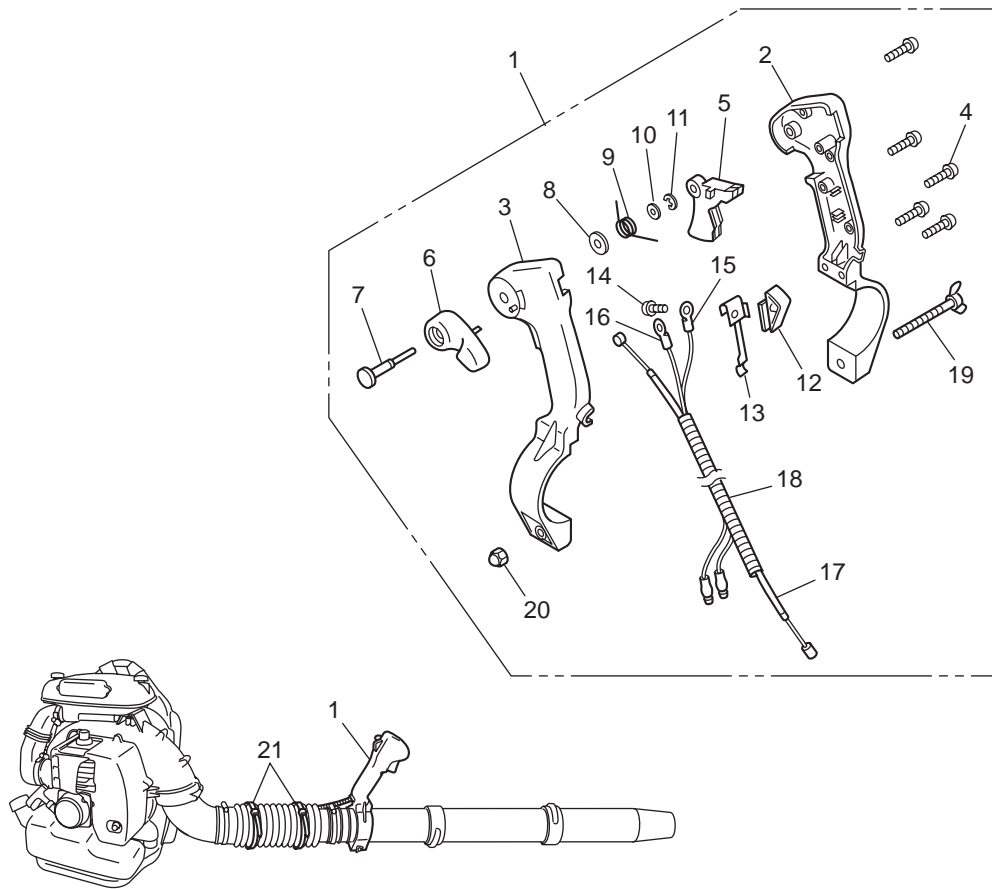


Key#	PART NUMBER	DESCRIPTION	Q'TY /UNIT	NOTE	Key#	PART NUMBER	DESCRIPTION	Q'TY /UNIT	NOTE
1	T1108-81450	Body ass'y	1		20	1751-81180	Nut	1	
2	-----	Screen	1		21	1918-81170	Screw	1	
3	-----	Valve	1		23	1850-81530	Screw	4	
4	-----	Spring	1		24	T1108-81910	Jet	1	#43.5
5	-----	Screw	1		25	1751-81240	O-Ring	1	
6	-----	Pin	1		26*	-----	Body	1	
7	-----	Lever	1		27*	-----	Valve ass'y	1	
8	1850-81490	Body	1		28	4810-06020	Gasket Kit (Key# 14,15,16,17)		*Acc
9	1850-81520	Cover	1						
10	1751-81510	Pump	1						
11	5500-81160	Washer	1						
12	1881-81140	Swivel	1						
13	1751-81130	Ring	1						
14	-----	Gasket	1						
15	-----	Diaphragm	1						
16	-----	Gasket	1						
17	-----	Diaphragm	1						
18	1752-81110	Screw	2						
19	5500-81120	Bracket	1						

[NOTE]
 • 26*-Body and 27*-Valve ass'y are not supplied as an individual part respectively, but supplied as a carburetor ass'y (P/NO. T1108-81000).

*Acc: Accessory, which is not included in standard package.

Fig.4 LEVER (R) SET (S/N 200101 and up)



Key#	PART NUMBER	DESCRIPTION	Q'TY /UNIT	NOTE	Key#	PART NUMBER	DESCRIPTION	Q'TY /UNIT	NOTE
1	T4023-25000	LEVER (R) SET	1		20	2750-51540	• NUT	1	
2	T4023-25110	• CASE	1		21	3486-84110	BAND	2	
3	T4023-25210	• COVER	1						
4	T4023-25310	• SCREW 4x14	5						
5	T4023-25410	• LEVER, throttle	1						
6	T4023-25430	• LEVER	1						
7	T4023-25440	• SHAFT	1						
8	T4023-25450	• WASHER	1						
9	T4023-25460	• SPRING	1						
10	3238-15230	• WASHER	1						
11	T4023-25480	• CLIP	1						
12	T4023-25710	• SWITCH	1						
13	T4023-25720	• SPRING	1						
14	T4023-25730	• SCREW 4x10	1						
15	T4023-25740	• CORD	1						
16	T4023-25750	• CORD	1						
17	T4023-83100	• CABLE	1						
18	T4023-83210	• TUBE	1						
19	3495-51420	• WING BOLT	1						



KOMATSU ZENOAH CO.

1-9 Minamidai, Kawagoe, Saitama, 350-1192 Japan
