

PARTS LIST

BRUSHCUTTERS

BT250

NOTE :

1. Use KOMATSU ZENOAH genuine parts specified in the parts list for repair and/or replacement.
2. KOMATSU ZENOAH does not warrant the machines, those which have been damaged by the use of any parts other than those specified by the company.
3. When placing orders of parts for repair and/or replacement, check if the model name and the serial number are suitable to those specified in the parts list, then use parts number described in the parts list.
4. The contents described in the parts list may change due to improvement.
5. The parts for the machine shall be supplied within ten (10) years after the machine is discontinued.
[It is possible that some specific parts may be subject to change of their delivery term and list price within the limit of ten (10) years after the machine is discontinued. And it is also possible that some parts may be available even after the limit of ten (10) years.]

APPLICABLE SERIAL NUMBERS:

October 2005

DRIVE UNIT 51100101 and up

Fig.1 CUTTER GROUP

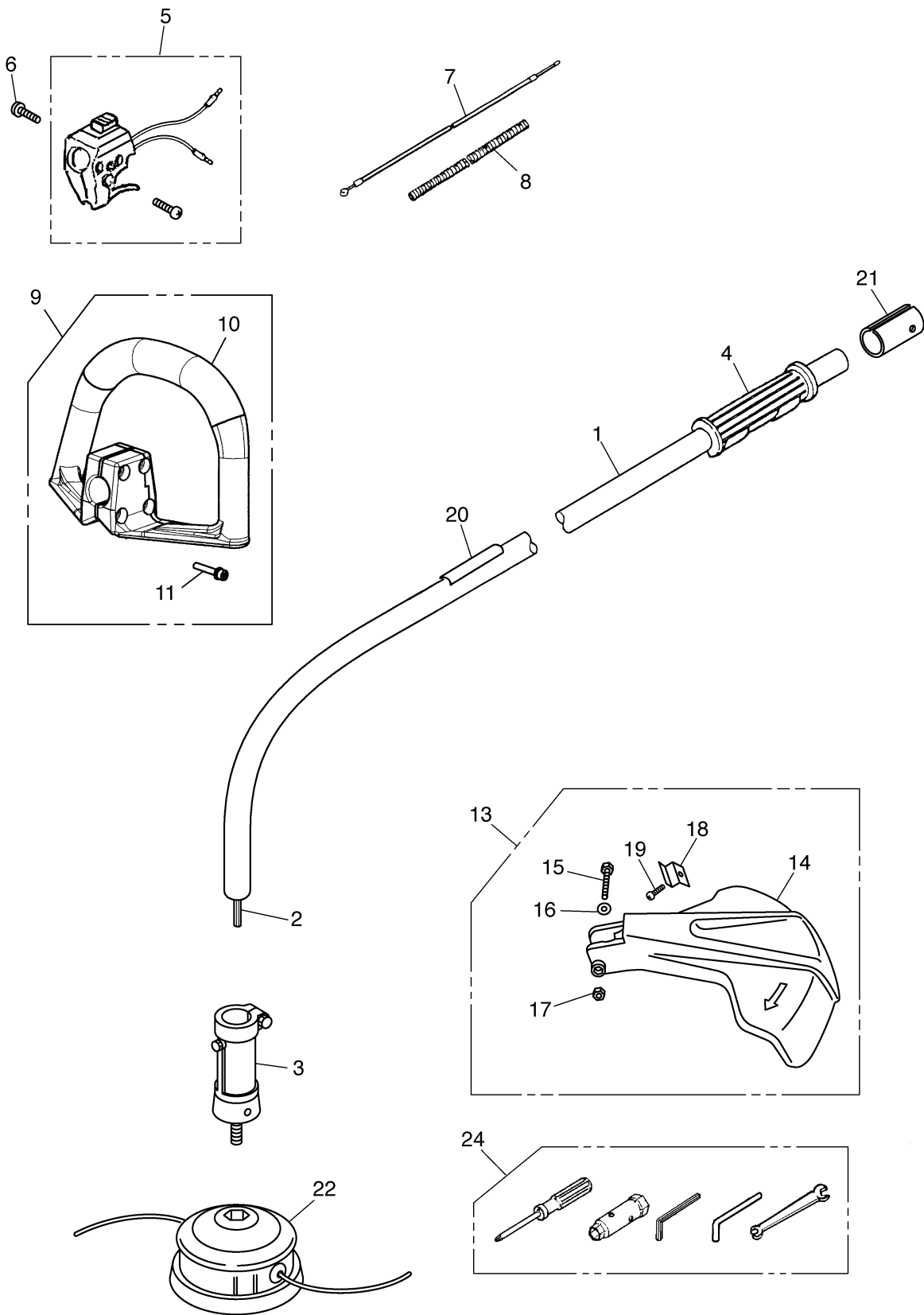


Fig.1 CUTTER GROUP

Key#	PART NUMBER	DESCRIPTION	Q'TY /UNIT	NOTE	Key#	PART NUMBER	DESCRIPTION	Q'TY /UNIT	NOTE
1	848J205820	PIPE COMP.	1						
2	848J2058E0	DRIVE SHAFT	1						
3	848J206100	CASE ASSY	1						
4	848J2032H0	GRIP	1						
5	8488RB0180	LEVER ASSY	1						
6	8488RA0180	SCREW	1						
7	1855-82100	CABLE ASSY	1						
8	848J2032Z0	TUBE	1						
9	848J213200	HANDLE ASSY	1						
10	848J2132A0	• HANDLE	1						
11	0263-90530	• SCREW	4						
13	848J206600	GUARD ASSY	1						
14	848J2066A0	• GUARD	1						
15	848J2066X0	• BOLT	1						
16	848J2066Z0	• WASHER	1						
17	848J2066Y0	• NUT	1						
18	848J2066B0	• BLADE	1						
19	848J2066W0	• SCREW	1						
20	848J2390R0	PLATE, name	1						
21	848J2058Z0	SPACER	1						
22	848JT66910	TAP HEAD	1						
24	8488U00150	TOOL SET	1						

Fig.2 ENGINE GROUP

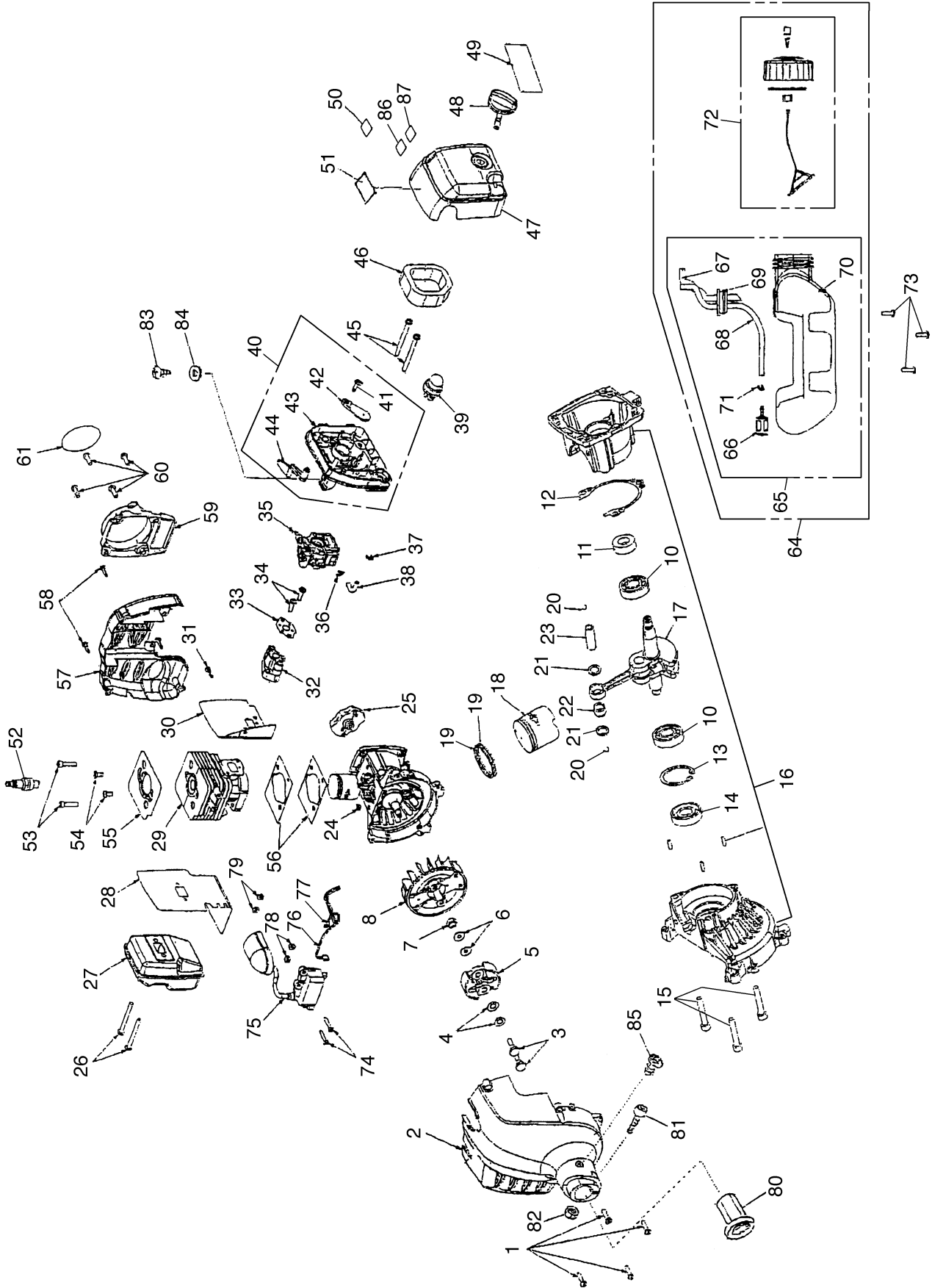


Fig.2 ENGINE GROUP

Key#	PART NUMBER	DESCRIPTION	Q'TY /UNIT	NOTE	Key#	PART NUMBER	DESCRIPTION	Q'TY /UNIT	NOTE
1	6634401	SCREW	4		51	9506011	DECAL(caution)	1	
2	3075406	FRONT HOUSING	1		52	8714402	SPARK PLUG	1	
3	6635301	SCREW CLUTCH	2		53	6634201	CAP SCREW	2	
4	6969601	WASHER CURVED	2		54	6635102	SCREW TORX	2	
5	3075603	CLUTCH ASSY	1		55	6300221	PLATE FIN	1	
6	6969501	WASHER PLAIN	2		56	9070901	GASKET CYLINDER	2	
7	6968901	NUT	1		57	5947001	REAR HOUSING	1	
8	6457402	ROTOR	1		58	6656301	SCREW TORX	3	
					59	3075304	RECOIL ASSY	1	
10	6968501	BEARING	2		60	6635101	SCREW TORX	4	
11	5987501	SEAL	1		61	9506403	DECAL STARTER	1	
12	9071301	GASKET CASE	1						
13	6968401	RING	1		64	3075804	TANK&CAP ASSY	1	
14	5687401	SEAL	1		65	3075705	• TANK ASSY	1	
15	6634801	SCREW	3		66	3075904	•• FILTER	1	
16	3075003	CRANKCASE ASSY	1		67	5688006	•• PIPE RETURN	1	
17	3090101	CRANKSHAFT ASSY	1		68	5688001	•• PIPE FUEL	1	
18	6457303	PISTON	1		69	5687801	•• TANK GROMMET	1	
19	6969001	RING	2		70	5835901	•• TANK	1	
20	6969101	CLIP RING	2		71	6976501	•• CLIP	1	
21	6968701	WASHER	2		72	3075803	• CAP ASSY	1	
22	6997001	NEEDLE BEARING	1		73	6635401	BOLT TORX	3	
23	6230101	WRIST PIN	1		74	6634901	BOLT TORX	2	
24	6968801	KEY	1		75	2917803	COIL&BOOT ASSY	1	
25	4300401	PULLEY ASSY	1		76	2914301	LEAD ASSY(BLACK)	1	
26	6634701	BOLT MAFFLER	2		77	2914302	LEAD ASSY(RED)	1	
27	3074802	MUFFLER & arrester	1		78	5946201	SPACER	2	
28	6300206	MUFFLER GASKET	1		79	6996901	WASHER	2	
29	6457003	CYLINDER	1		80	848EU053D0	CUSHION	1	
30	9071102	GASKET INSULATOR	1		81	01252-30630	BOLT	1	
31	6634502	SCREW TORX	1		82	1565-12140	NUT	1	
32	5994702	INSULATOR	1		83	2630-31950	SCREW	1	
33	9071103	GASKET CABURETOR	1		84	1484-86280	WASHER	1	
34	6634402	SCREW TORX	2		85	5883-32160	SCREW	1	
35	3074502	CARBURETOR	1		86	9402973	CE LABEL	1	
36	6970001	CLIP HOSE	1		87	9432905	NOISE LABEL	1	
37	6969901	CLIP HOSE	1						
38	5688002	PLASTIC RUBBER TUBING	1						
39	3078001	PRIMER ASSY	1						
40	3097402	CHOKE LEVER&PLATE ASSY	1						
41	6634501	• SCREW TORX	1						
42	5994601	• CHOKE PLATE	1						
43	4315001	• CARBURETOR PLATE	1						
44	5945801	• CHOKE LEVER	1						
45	6634601	BOLT CARBURETOR	2						
46	5687301	ELEMENT	1						
47	3099904	COVER ASSY	1						
48	5946101	KNOB	1						
49	9506501	DECAL	1						
50	9506009	DECAL(To Start)	1						



KOMATSU ZENOAH CO.

1-9 Minamidai, Kawagoe, Saitama, 350-1192 Japan
