



PARTS LIST

POWER AUGER

AG2300

NOTE :

1. Use KOMATSU ZENOAH genuine parts as specified in the parts list for repair and/or replacement.
2. KOMATSU ZENOAH does not warrant the machines, which have been damaged by the use of any parts other than those specified by the company.
3. When placing parts orders for repair and/or replacement, check if the model name and the serial number are applicable to those specified in the parts list, then use parts number described in the parts list.
4. The contents described in the parts list are accurate as of July 1997 and may change due to improvement.
5. The parts for the machine shall be supplied ten (10) years after the machine is discontinued. [It is possible that some specific parts may be subject to change of their delivery term and list price within the limit of ten (10) years after the machine is discontinued. It is also possible that some parts may be available even after the limit of ten (10) years.]

Fig.1 AUGER DRIVE SHAFT GROUP

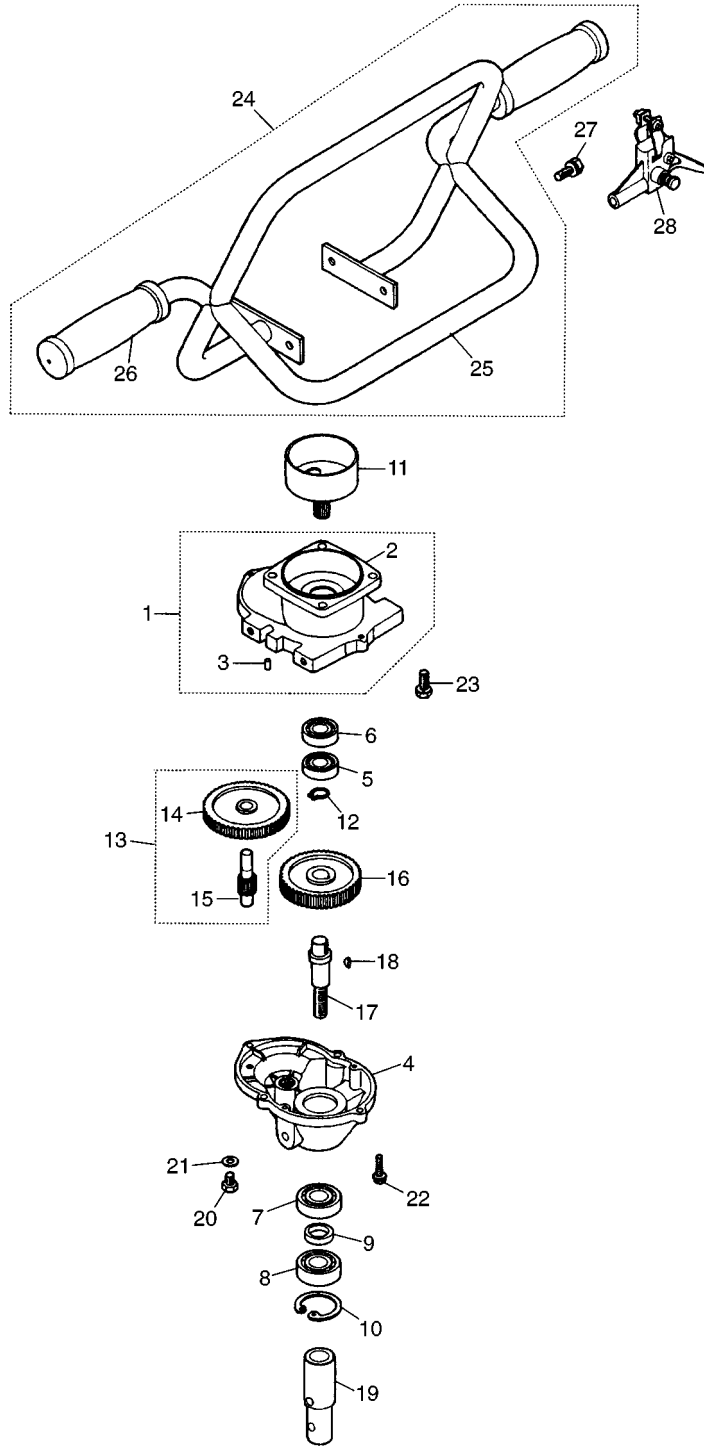


Fig.1 AUGER DRIVE SHAFT GROUP

Key#	PART NUMBER	DESCRIPTION	Q'TY /UNIT	NOTE	Key#	PART NUMBER	DESCRIPTION	Q'TY /UNIT	NOTE
1	3890-11101	CASE(A)COMP	1						
2	3890-11112	• CASE(A)	1						
3	3890-11140	• PIN	2						
4	3890-11201	CASE(B)COMP	1						
5	06030-06001	BEARING	1						
6	06031-06001	BEARING	1						
7	06030-06202	BEARING	1						
8	06034-06202	BEARING	1						
9	3127-13230	SPACER	1						
10	04065-03515	RING	1						
11	3890-12110	DRUM	1						
12	04064-01210	RING	1						
13	3890-13100	GEAR COMP	1						
14	3890-13110	• GEAR	1						
15	3890-13121	• SHAFT	1						
16	3890-13131	GEAR	1						
17	3890-13140	SHAFT	1						
18	04010-00310	KEY	1						
19	3890-13210	SHAFT	1						
20	0224-00610	BOLT	1						
21	01641-20608	WASHER	1						
22	3310-12281	BOLT	4						
23	0225-10616	BOLT	4						
24	3890-14100	HANDLE COMP	1						
25	3890-14110	• HANDLE	1						
26	3541-14221	• GRIP	2						
27	0225-30616	• BOLT	4						
28	3524-14400	LEVER	1						

Fig.2 DRILL and ACCESSORY GROUP

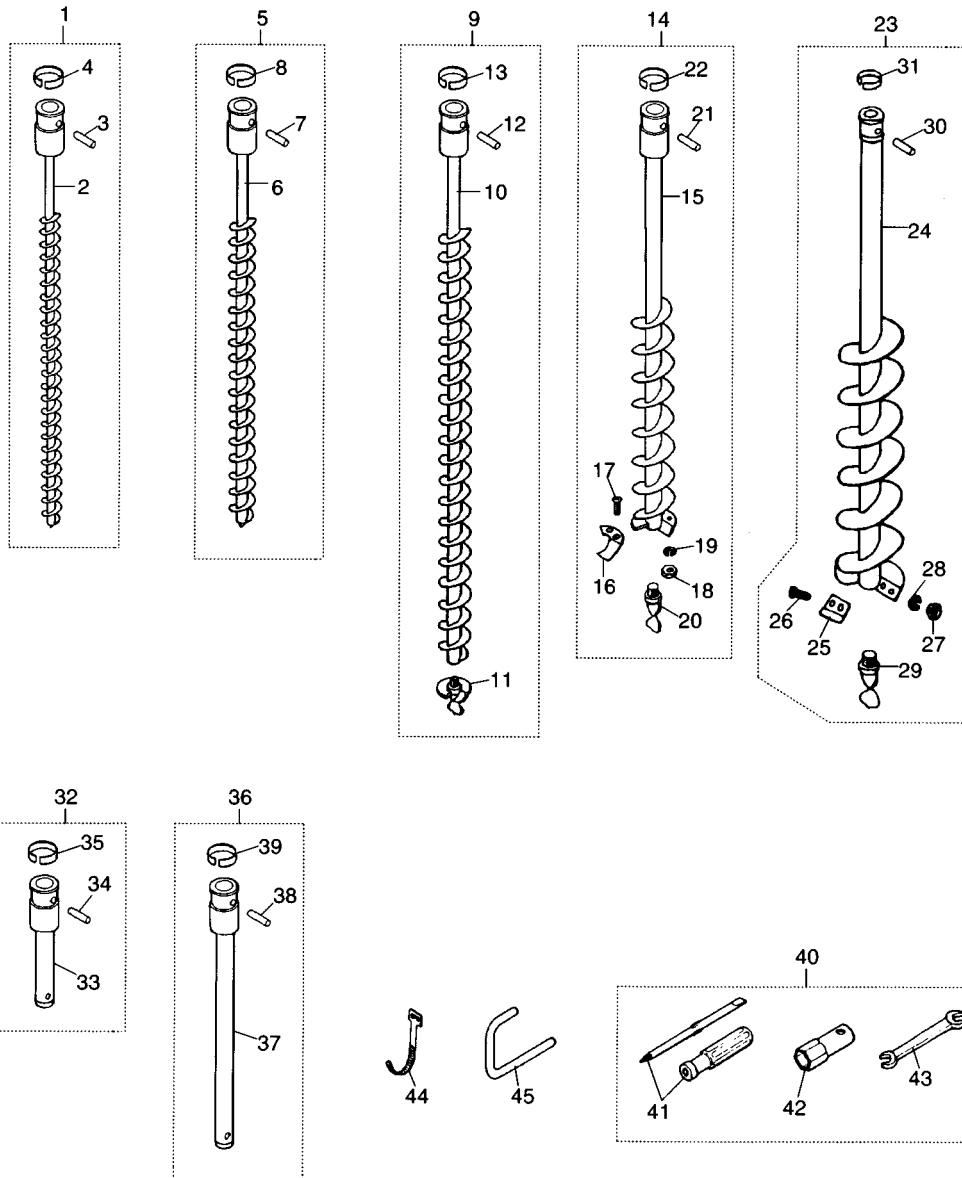


Fig.2 DRILL and ACCESSORY GROUP

Key#	PART NUMBER	DESCRIPTION	Q'TY /UNIT	NOTE	Key#	PART NUMBER	DESCRIPTION	Q'TY /UNIT	NOTE
1	3206-52700	DRILL S20 ASSY	1						
2	3206-52710	• DRILL S20	1						
3	3200-51130	• PIN	1						
4	3200-51140	• CLIP	1						
5	3206-52800	DRILL S30 ASSY	1						
6	3206-52810	• DRILL S30	1						
7	3200-51130	• PIN	1						
8	3200-51140	• CLIP	1						
9	3202-51102	DRILL S40 ASSY	1						
10	3202-51112	• DRILL S40	1						
11	3202-51121	• BIT	1						
12	3200-51130	• PIN	1						
13	3200-51140	• CLIP	1						
14	3206-52100	DRILL S60 ASSY	1						
15	3206-52110	• DRILL S60	1						
16	3202-52121	• TIP S60	1						
17	01225-40620	• SCREW	2						
18	0280-10605	• NUT	2						
19	0290-20615	• WASHER	2						
20	3206-52330	• BIT	1						
21	3200-51130	• PIN	1						
22	3200-51140	• CLIP	1						
23	3206-52200	DRILL S90 ASSY	1						
24	3206-52210	• DRILL S90	1						
25	3206-52220	• TIP S90	1						
26	01225-40620	• SCREW	2						
27	0280-10605	• NUT	2						
28	0290-20615	• WASHER	2						
29	3206-52330	• BIT	1						
30	3200-51130	• PIN	1						
31	3200-51140	• CLIP	1						
32	3204-53100	JOINT-L100 ASSY	1						
33	3204-53110	• JOINT-L100	1						
34	3200-51130	• PIN	1						
35	3200-51140	• CLIP	1						
36	3204-53200	JOINT-L300 ASSY	1						
37	3204-53210	• JOINT-L300	1						
38	3200-51130	• PIN	1						
39	3200-51140	• CLIP	1						
40	3890-91000	TOOL SET	1						
41	1030-91340	• DRIVER	1						
42	1110-91320	• SOCKET	1						
43	3540-91120	• SPANNER	1						
44	3540-93120	BAND	1						
45	3890-91511	PIN	1						

Fig.3 ENGINE GROUP

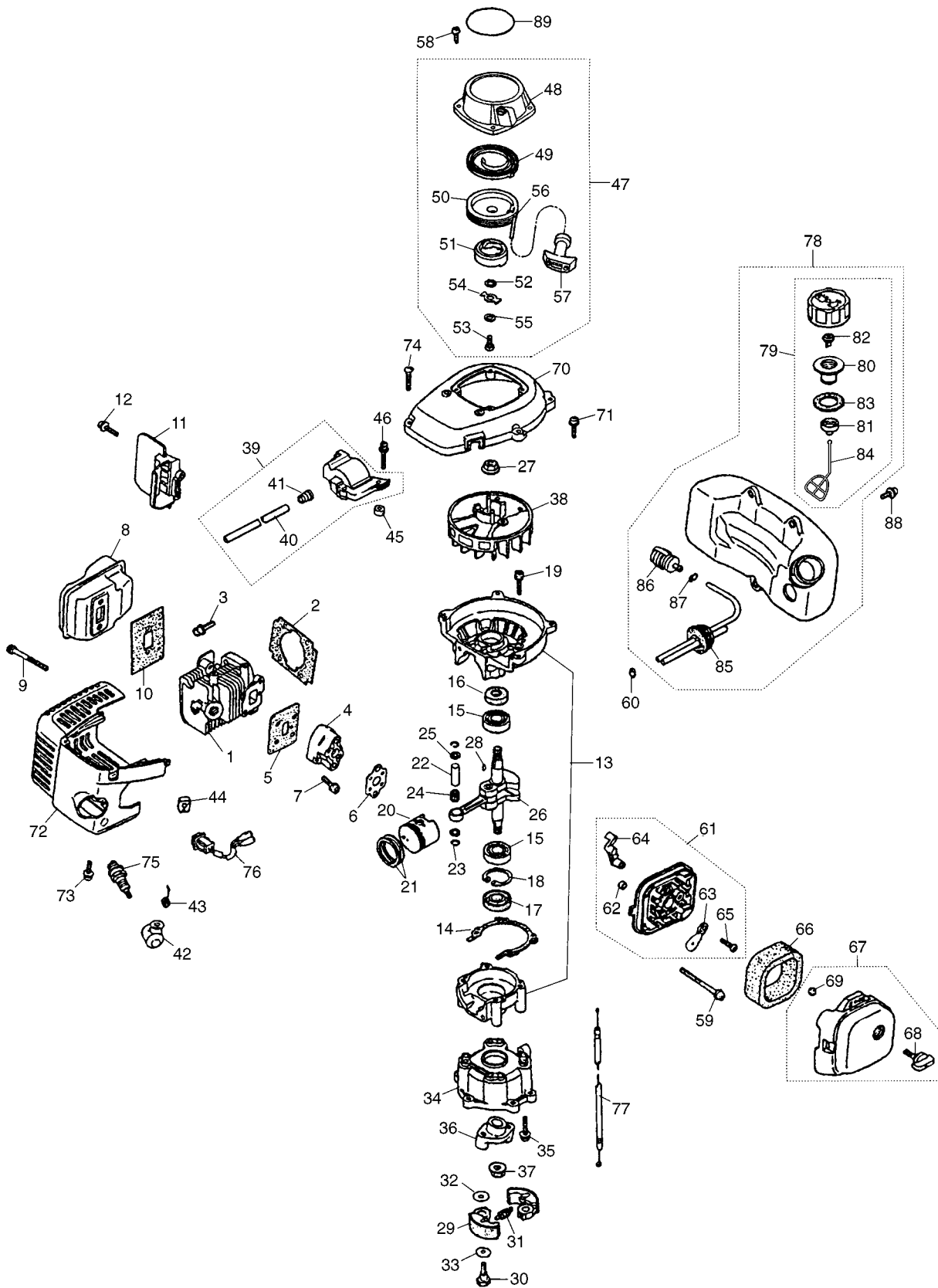


Fig.3 ENGINE GROUP

Key#	PART NUMBER	DESCRIPTION	Q'TY /UNIT	NOTE	Key#	PART NUMBER	DESCRIPTION	Q'TY /UNIT	NOTE
1	5602-12110	CYLINDER	1		60	1950-86120	CLIP	1	
2	5500-12211	GASKET,base	1		61	5500-82102	BODY ASSY	1	
3	1850-12130	BOLT	2		62	1970-82190	• SLEEVE	2	
4	5500-13162	INSULATOR	1		63	5500-82131	• PLATE,choke	1	
5	5500-13120	GASKET,insulator	1		64	5500-82140	• LEVER,choke	1	
6	5500-13130	GASKET,carburetor	1		65	2630-33610	• SCREW ø4 CR	1	
7	0263-90520	SCREW M5x20	2		66	5500-82171	ELEMENT,filter	1	
8	5602-15110	MUFFLER	1		67	5600-82201	COVER ASSY	1	
9	01252-30550	BOLT M5x50	2		68	5500-82221	• KNOB	1	
10	5500-15210	GASKET,muffler	1		69	5500-82230	• RING	1	
11	5600-15220	PLATE,muffler	1		70	5600-31110	COVER,fan	1	
12	0263-90416	SCREW M4x16	1		71	0263-90520	SCREW M5x20	4	
13	5600-21100	CRANKCASE COMP	1		72	5600-32100	COVER,engine ASSY	1	
14	5500-21140	GASKET,case	1		73	1850-32160	SCREW M4x12	1	
15	06030-06001	BEARING 12x28x8	2		74	1900-31410	SCREW ø4 CR	1	
16	2169-21210	OIL SEAL 12x22x7	1		75	5933-73110	SPARKPLUG BPMR7A	1	
17	1850-21220	OIL SEAL 12x28x7	1		76	5606-85001	SWITCH ASSY	1	
18	04065-02812	SNAP RING ø28	1		77	1753-82100	CABLE COMP	1	
19	01252-30530	BOLT M5x30	4		78	5606-85001	TANK ASSY	1	
20	5600-41111	PISTON ø32	1		79	5606-85201	• CAP ASSY	1	
21	1100-41210	RING ø32	2		80	5600-85231	•• HOLDER	1	
22	1101-41310	PIN ø8	1		81	5600-85240	•• CAP	1	
23	1260-41320	SNAP RING	2		82	5600-85250	•• VALVE	1	
24	1140-41330	BEARING 8x11x9	1		83	5500-85220	•• PACKING	1	
25	1101-41340	THRUST WASHER	2		84	3317-57242	•• STOPPER	1	
26	5600-42001	CRANKSHAFT COMP	1		85	5500-85300	• PIPE COMP	1	
27	1650-43230	NUT M8	1		86	5500-85400	• FILTER ASSY	1	
28	1000-43240	KEY	1		87	1260-85460	• CLIP	1	
29	1140-51111	SHOE,clutch	2		88	5500-85510	SCREW M5x16	3	
30	1140-51250	SCREW,clutch	2		89	5616-91120	LABEL,recoil	1	
31	1970-51221	SPRING,clutch	1						
32	1140-51230	WASHER,flat	2						
33	1970-51241	WASHER,wave	2						
34	1140-21161	CASE,clutch	1						
35	0263-90516	SCREW M5x16	4						
36	5600-52150	PLATE	1						
37	1650-43230	NUT M8	1						
38	5601-71110	ROTOR	1						
39	5501-71201	COIL ASSY	1						
40	5500-71220	• CORD	1						
41	2616-71320	• CAP, cord	1						
42	1900-72111	CAP PLUG	1						
43	1900-72120	SPRING	1						
44	5500-72130	GROMMET	1						
45	1260-71261	SPACER	2						
46	3310-72150	BOLT M4x25	2						
47	1861-75100	RECOIL ASSY	1						
48	1861-75110	• CASE	1						
49	1861-75120	• SPIRING,spiral	1						
50	1861-75130	• REEL	1						
51	1861-75141	• RATCHET	1						
52	1861-75150	• WASHER	1						
53	1483-75270	• SCREW	1						
54	1487-75160	• RETAINER	1						
55	1487-75170	• WASHER	1						
56	1861-75180	• ROPE	1						
57	1490-75180	• KNOB	1						
58	0263-90412	SCREW M4x12	4						
59	0263-90560	SCREW M5x60	2						

Fig.4 CARBURETOR GROUP

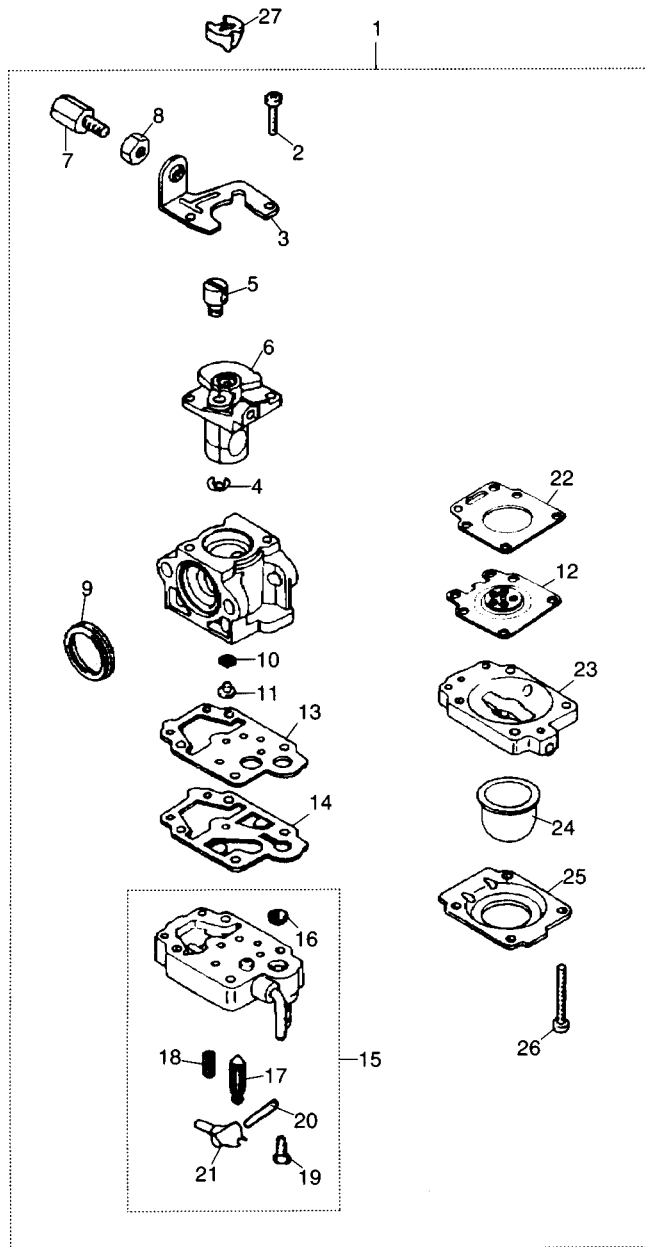


Fig.4 CARBURETOR GROUP

Key#	PART NUMBER	DESCRIPTION	Q'TY /UNIT	NOTE	Key#	PART NUMBER	DESCRIPTION	Q'TY /UNIT	NOTE
1	5501-81000	CARBURETOR ASSY	1	WYJ-113					
2	1752-81110	• SCREW	2						
3	5500-81120	• BRACKET	1						
4	1751-81130	• E-RING	1						
5	1881-81140	• SWIVEL	1						
6	5501-81150	• VALVE ASSY	1						
7	1918-81170	• SCREW,adjust	1						
8	1751-81180	• NUT	1						
9	1881-81130	• RING	1						
10	1751-81240	• O-RING	1						
11	5500-81251	• JET	1						
12	3310-81260	• DIAPHRAGM	1						
13	1065-81410	• GASKET,pump	1						
14	1065-81420	• DIAPHRAGM,pump	1						
15	1850-81450	• BODY ASSY	1						
16	3306-81380	•• SCREEN	1						
17	3356-81310	•• VALVE,inlet	1						
18	1850-81270	•• SPRING	1						
19	1850-81220	•• SCREW	1						
20	3310-81250	•• PIN	1						
21	3310-81230	•• LEVER	1						
22	1850-81470	• GASKET	1						
23	1850-81490	• BODY,air purge	1						
24	1751-81510	• PUMP,priming	1						
25	1850-81520	• COVER,pump	1						
26	1850-81530	• SCREW	4						
27	5500-81160	• WASHER	1						