

# PARTS LIST

## SHORT REACH TRIMMER

**SRTZ2610**  
**SRTZ2610F**  
**LRTZ2610**

### NOTE :

1. Use ZENOAH genuine parts as specified in the parts list for repair and/or replacement.
2. ZENOAH does not warrant the machines, which have been damaged by the use of any parts other than those specified by the company.
3. When placing parts orders for repair and/or replacement, check if the model name and the serial number are applicable to those specified in the parts list, then use parts number described in the parts list.
4. The contents described in the parts list are accurate as of the date and may change due to improvement.
5. The parts for the machine shall be supplied ten (10) years after the machine is discontinued. [It is possible that some specific parts may be subject to change of their delivery term and list price within the limit of ten (10) years after the machine is discontinued. It is also possible that some parts may be available even after the limit of ten (10) years.]

### APPLICABLE SERIAL NUMBERS:

May 2008

#### DRIVE UNIT

SRTZ2610: 80200101 and up

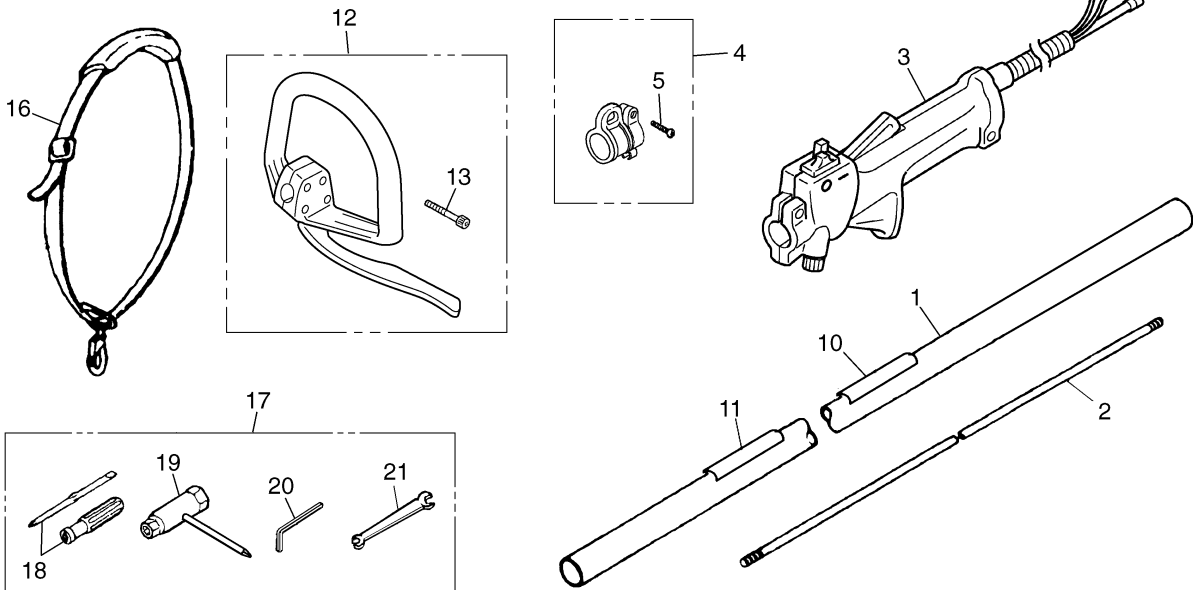
SRTZ2610F: 80200101 and up

LRTZ2610: 80300101 and up

#### ENGINE UNIT

80200101 and up

**Fig.1 DRIVE UNIT**



**Fig.2 CUTTING UNIT**

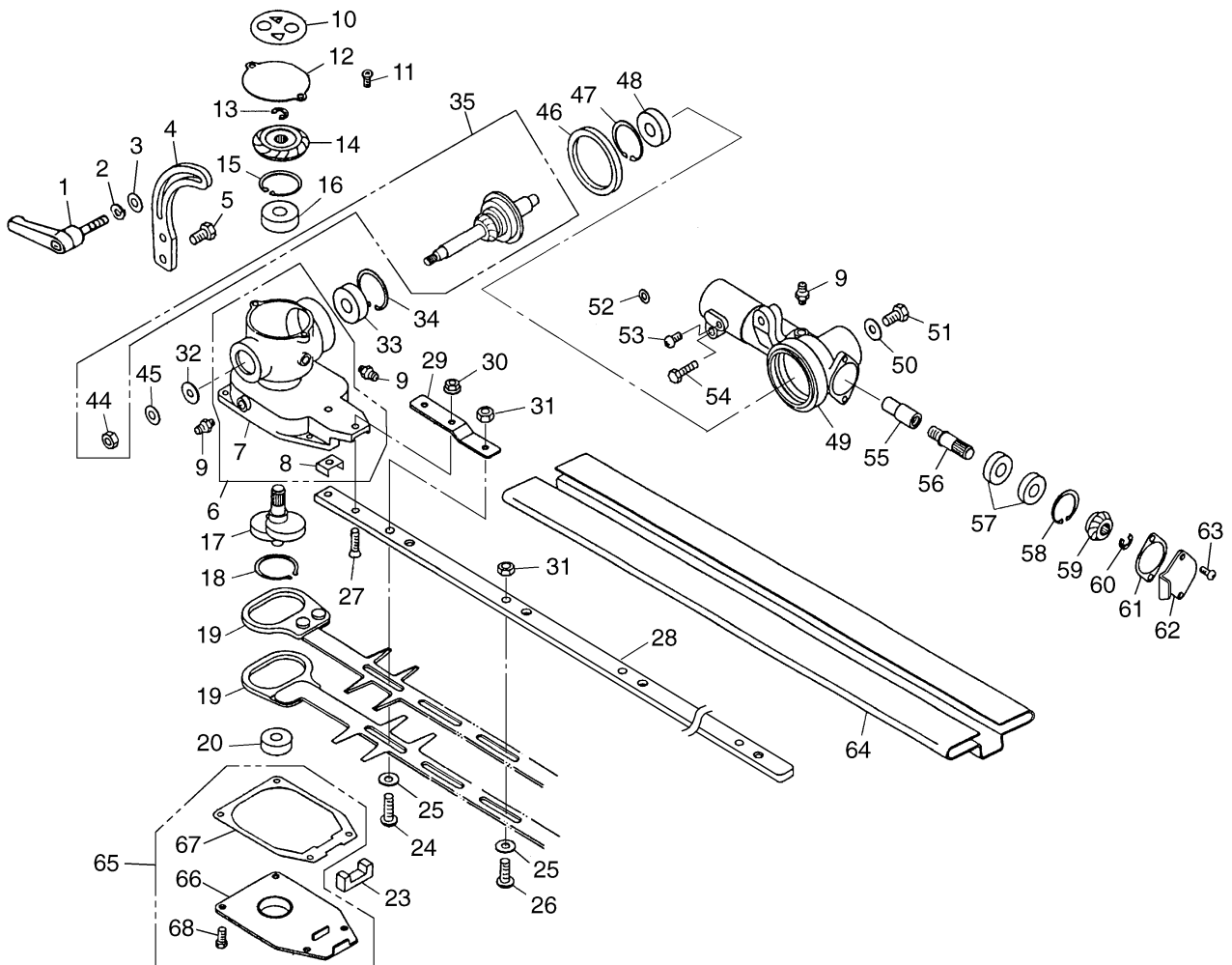


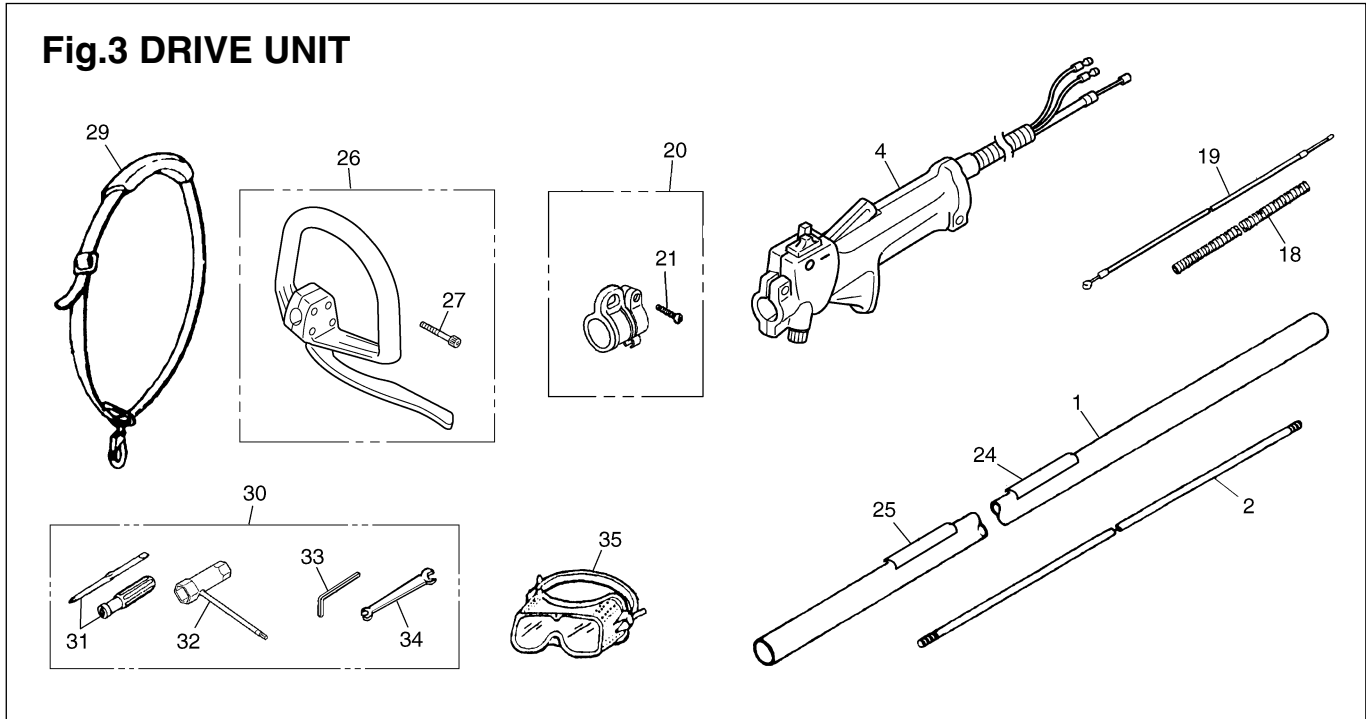
Fig.1 DRIVE UNIT

Key#	PART NUMBER	DESCRIPTION	Q'TY /UNIT	NOTE	Key#	PART NUMBER	DESCRIPTION	Q'TY /UNIT	NOTE
1	T3075-12100	PIPE COMP.	1						
2	T3075-12210	SHAFT	1						
3	T3076-11330	GRIP ASSY	1						
4	T3300-17202	HANGER COMP.	1						
5	8488052000	• SCREW	1						
10	848A3390R0	NAME-PLATE	1						
11	8488X10030	CAUTION-PLATE	1						
12	T3110-14000	HANDLE ASSY	1						
13	0263-90530	• SCREW	4						
16	848J823610	STRAP ASSY	1						
17	8488U00010	TOOL-SET	1						
18	1030-91340	• DRIVER	1						
19	T4017-91130	• SOCKET	1						
20	09007-00425	• WRENCH	1						
21	3540-91120	• SPANNER	1						

Fig.2 CUTTING UNIT

Key#	PART NUMBER	DESCRIPTION	Q'TY /UNIT	NOTE	Key#	PART NUMBER	DESCRIPTION	Q'TY /UNIT	NOTE
1	6598-13110	LEVER, clamp	1						
2	0290-20615	WASHER	1	M6	44	0280-10605	• NUT	1	M6
3	6782-13650	WASHER	1	6x16x2.0	45	0290-20615	WASHER	1	
4	6782-13141	ANGLE ADJUSTER	1		46	6598-13620	O-RING	1	P41
5	0225-10612	BOLT	2	M6x12	47	04065-02612	SNAP RING	1	
6	6782-13200	CASING A SET	1		48	06004-06000	BEARING	1	
7	_____	• CASING A	1		49	848A2Z61A1	CASING B	1	
8	6782-13220	• PLATE	1		50	6782-13650	WASHER	1	
9	3199-13350	GREASE FITTING	3		51	0225-10612	BOLT	1	M6x12
10	T3078-13250	LABEL	1		52	6782-13720	WASHER	1	5x10x1.0
11	0263-10408	SCREW	2	M4x8	53	01252-30510	BOLT	1	M5x10
12	6598-13320	COVER	1		54	3350-21320	BOLT	1	M5x30
13	6598-13330	SNAP RING	1		55	6782-13810	JOINT	1	
14	6782-13340	BEBEL GEAR	1		56	6598-13820	GEAR SHAFT B	1	
15	04065-02612	SNAP RING	1		57	6782-13830	BEARING	2	6900RS
16	06004-06000	BEARING	1		58	04065-02212	SNAP RING	1	
17	6782-13370	CRANK SHAFT	1		59	6782-13850	BEVEL GEAR	1	
18	04064-02815	SNAP RING	1		60	6598-13330	SNAP RING	1	
19	T3078-13410	BLADE	2		61	6598-13860	PACKING	1	
20	6782-13430	BEARING	1	608Z	62	6598-13871	PLATE	1	
23	6782-13460	FELT	1		63	0263-10410	SCREW	2	M4x10
24	3884-11750-10	SCREW	1		64	T3078-13910	BLADE COVER	1	
25	3880-11780	WASHER	6		65	6782-06010	COVER SET	1	
26	6598-13510	SCREW	5	L17	66	6782-13441	• COVER	1	
27	6598-13530	SCREW	2	M5x20	67	6782-13470	• GASKET	1	
28	T3078-13540	GUIDE PLATE	1		68	848A2R61C0	• BOLT	4	M4x12
29	6782-13550	PLATE	1						
30	6782-14470	NUT	2	M5					
31	3880-11790	NUT	6	M6					
32	6782-13650	WASHER	1	6x15x2.0					
33	6598-13430	BEARING	1	608 2RS					
34	04065-02212	SNAP RING	1						
35	T4008-06010	SHAFT KIT	1						

**Fig.3 DRIVE UNIT**



**Fig.4 CUTTING UNIT**

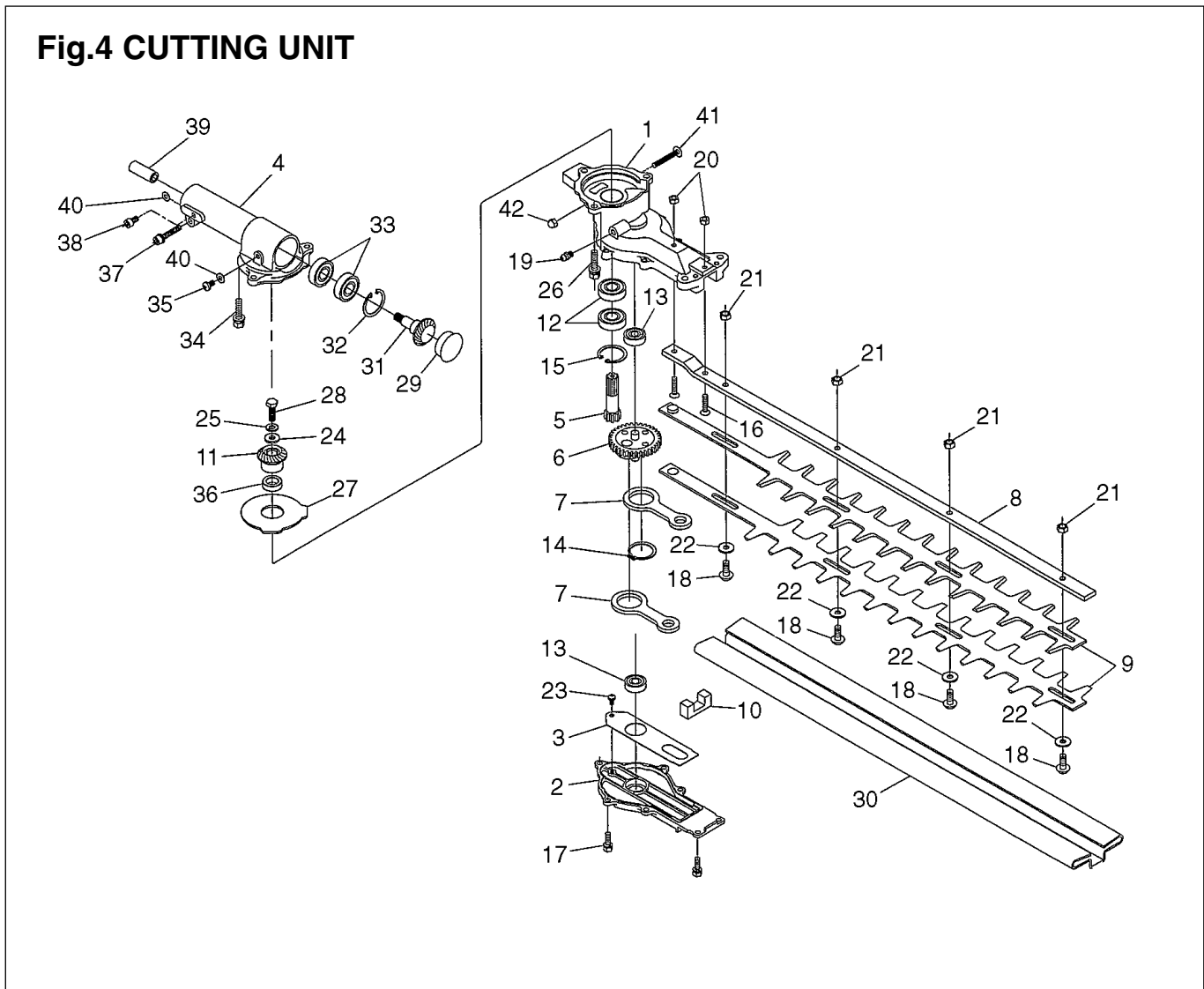


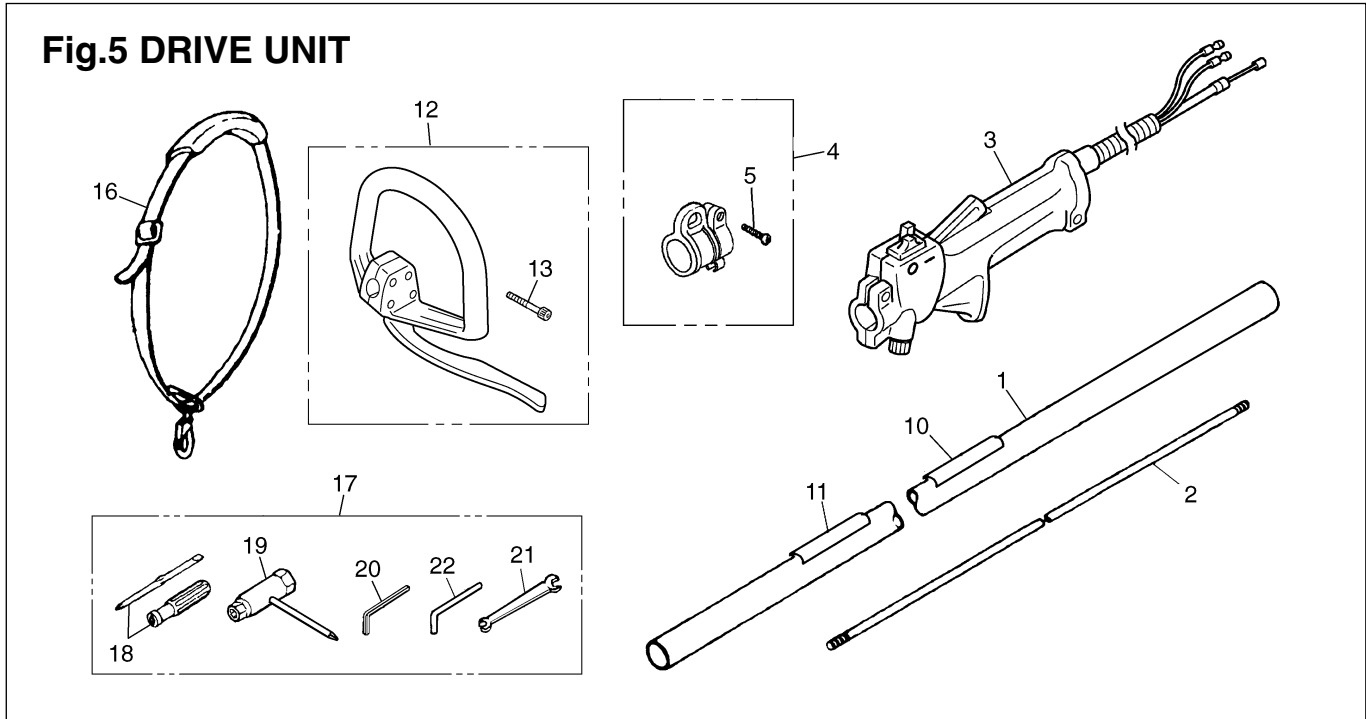
Fig.3 DRIVE UNIT

Key#	PART NUMBER	DESCRIPTION	Q'TY /UNIT	NOTE	Key#	PART NUMBER	DESCRIPTION	Q'TY /UNIT	NOTE
1	848J8P5820	PIPE COMP.	1		34	3540-91120	• SPANNER	1	
2	T3075-12100	SHAFT	1		35	848A5692C0	GOGGLE	1	
4	T3076-11330	GRIP ASSY	1						
18	T3002-12240	TUBE	1						
19	T3002-83100	CABLE COMP.	1						
20	T3300-17202	HANGER COMP.	1						
21	8488052000	• SCREW	1						
24	848A3490R1	NAME-PLATE	1						
25	T3075-12550	CAUTION-PLATE	1						
26	T3110-14000	HANDLE ASSY	1						
27	0263-90530	• SCREW	4						
29	T3300-17100	STRAP ASSY	1						
30	8488U00010	TOOL SET	1						
31	1030-91340	• DRIVER	1						
32	T4017-91130	• SOCKET	1						
33	09007-00425	• WRENCH	1						

Fig.4 CUTTING UNIT

Key#	PART NUMBER	DESCRIPTION	Q'TY /UNIT	NOTE	Key#	PART NUMBER	DESCRIPTION	Q'TY /UNIT	NOTE
1	848A2W61B0	CASING A	1		35	848A2W62E0	SCREW M6x8	1	
2	848A2W61G0	COVER	1		36	848A2W62F0	COLOR	1	
3	848A2W61H0	PLATE	1		37	848A2R61E0	BOLT M5x30	1	
4	848A2W61A0	CASING B	1		38	848A2R61D0	BOLT M5x10	1	
5	848A2W61J0	PINION GEAR	1		39	6782-13810	JOINT	1	
6	848A2W61K0	CRANK GEAR	1		40	6782-13720	WASHER	1	
7	848A2W61N0	ROD	2		41	848A2W62G0	SCREW M5x35	1	
8	848A2W61M0	GUIDE PLATE	1		42	848A2W62H0	NUT M5	1	
9	848A2W65A0	BLADE	2						
10	848A2W61P0	FELT	1						
11	848A2W61R0	BEBEL GEAR A	1						
12	848A2W61L0	BEARING	2						
13	6782-13430	BEARING	2						
14	04064-02612	SNAP RING	1						
15	04065-02815	SNAP RING	1						
16	848A2W61T0	SCREW	2						
17	0205-10512	BOLT M5x12	7						
18	3884-11750-10	SCREW	4						
19	3199-13350	GREASE FITTING	1						
20	848A2W61W0	U NUT M5	2						
21	3880-11790	U NUT M6	4						
22	3880-11780	WASHER	4						
23	0263-10408	SCREW M4x8	1						
24	6782-13650	WASHER	1						
25	0290-20615	SPRING WASHER	1						
26	0225-10616	BOLT M6x16	2						
27	848A2W62A0	PLATE	1						
28	848A2W62B0	BOLT M6x20	1						
29	848A2W61S0	COVER	1						
30	848A2W68A0	BLADE COVER	1						
31	848A2W62C0	BEBEL GEAR B	1						
32	04065-02612	SNAP RING	1						
33	06004-06000	BEARING	2						
34	848A2W62D0	BOLT M6x25	1						

**Fig.5 DRIVE UNIT**



**Fig.6 CUTTING UNIT**

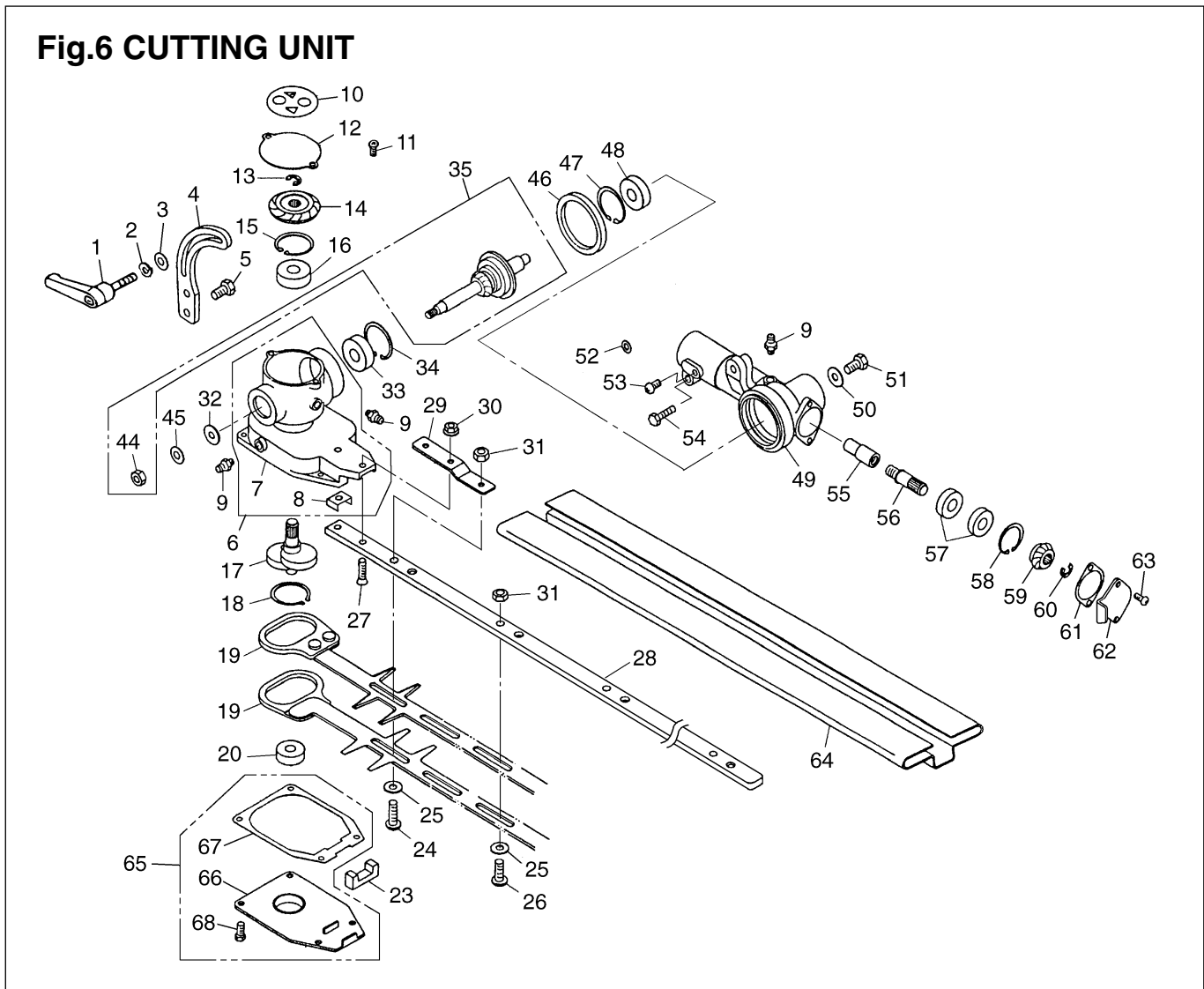


Fig.5 DRIVE UNIT

Key#	PART NUMBER	DESCRIPTION	Q'TY /UNIT	NOTE	Key#	PART NUMBER	DESCRIPTION	Q'TY /UNIT	NOTE
1	T3002-12101	PIPE COMP.	1						
2	3520-12213	SHAFT	1						
3	T3076-11330	GRIP ASSY	1						
4	T3300-17202	HANGER COMP.	1						
5	8488052000	• SCREW	1						
10	848A3590R0	NAME-PLATE	1						
11	3436-91170	CAUTION-PLATE	1						
12	T3110-14000	HANDLE ASSY	1						
13	0263-90530	• SCREW	4						
16	T3300-17100	STRAP ASSY	1						
17	T3002-91000	TOOL-SET	1						
18	1030-91340	• DRIVER	1						
19	T3002-91310	• SOCKET	1						
20	09007-00425	• WRENCH	1						
21	3540-91120	• SPANNER	1						
22	3540-91110	• BAR	1						

Fig.6 CUTTING UNIT

Key#	PART NUMBER	DESCRIPTION	Q'TY /UNIT	NOTE	Key#	PART NUMBER	DESCRIPTION	Q'TY /UNIT	NOTE
1	6598-13110	LEVER, clamp	1		44	0280-10605	• NUT	1	M6
2	0290-20615	WASHER	1	M6	45	0290-20615	WASHER	1	
3	6782-13650	WASHER	1	6x16x2.0	46	6598-13620	O-RING	1	P41
4	6782-13141	ANGLE ADJUSTER	1		47	04065-02612	SNAP RING	1	
5	0225-10612	BOLT	2	M6x12	48	06004-06000	BEARING	1	
6	6782-13200	CASING A SET	1		49	848A2Z61A1	CASING B	1	
7	_____	• CASING A	1		50	6782-13650	WASHER	1	
8	6782-13220	• PLATE	1		51	0225-10612	BOLT	1	M6x12
9	3199-13350	GREASE FITTING	3		52	6782-13720	WASHER	1	5x10x1.0
10	6782-13250	LABEL	1		53	01252-30510	BOLT	1	M5x10
11	0263-10408	SCREW	2	M4x8	54	3350-21320	BOLT	1	M5x30
12	6598-13320	COVER	1		55	6782-13810	JOINT	1	
13	6598-13330	SNAP RING	1		56	6598-13820	GEAR SHAFT B	1	
14	6782-13340	BEBEL GEAR	1		57	6782-13830	BEARING	2	6900RS
15	04065-02612	SNAP RING	1		58	04065-02212	SNAP RING	1	
16	06004-06000	BEARING	1		59	6782-13850	BEVEL GEAR	1	
17	6782-13370	CRANK SHAFT	1		60	6598-13330	SNAP RING	1	
18	04064-02815	SNAP RING	1		61	6598-13860	PACKING	1	
19	6782-13411	BLADE	2		62	6598-13871	PLATE	1	
20	6782-13430	BEARING	1	608Z	63	0263-10410	SCREW	2	M4x10
23	6782-13460	FELT	1		64	6782-13910	BLADE COVER	1	
24	3884-11750-10	SCREW	1		65	6782-06010	COVER SET	1	
25	3880-11780	WASHER	6		66	6782-13441	• COVER	1	
26	6598-13510	SCREW	3	L17	67	6782-13470	• GASKET	1	
27	6598-13530	SCREW	2	M5x20	68	848A2R61C0	• BOLT	4	M4x12
28	6782-13540	GUIDE PLATE	1						
29	6782-13550	PLATE	1						
30	6782-14470	NUT	2	M5					
31	3880-11790	NUT	4	M6					
32	6782-13650	WASHER	1	6x15x2.0					
33	6598-13430	BEARING	1	608 2RS					
34	04065-02212	SNAP RING	1						
35	T4008-13600	SHAFT KIT	1						

Fig.7 ENGINE UNIT

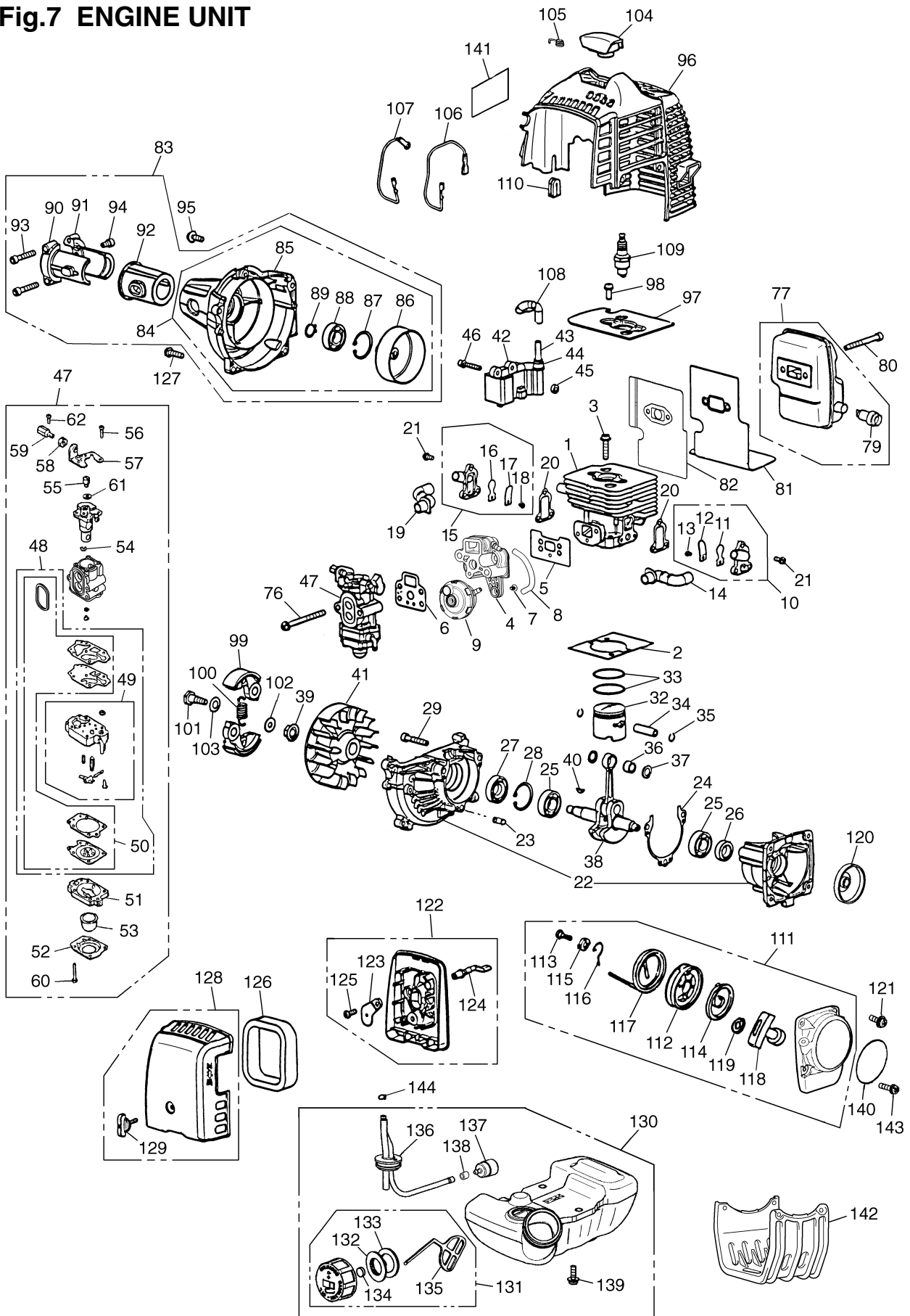




Fig.7 ENGINE UNIT

Key#	PART NUMBER	DESCRIPTION	Q'TY /UNIT	NOTE	Key#	PART NUMBER	DESCRIPTION	Q'TY /UNIT	NOTE
1	848F3R12A2	CYLINDER	1		81	848F3R15C0	GASKET	1	
2	848F3R12B0	GASKET, base	1		82	848F3R15D0	PLATE, muffler	1	
3	4820-12130	BOLT, M5x22	2		83	848F305304	HOUSING ASSY	1	
4	848F4014A0	INSULATOR	1		84	4810-31102	• COVER COMP.	1	
5	848F4014B0	GASKET, insulator	1		85	4810-31111	•• COVER, fan	1	
6	T1590-13130	GASKET, carburetor	1		86	848F3051A1	•• DRUM	1	
7	8488530600	SCREW, M3x6	1		87	04065-02812	•• SNAPRING	1	
8	8488F40550	TUBE	1		88	T1701-31150	•• BEARING	1	
9	848F408801	PUMP ASSY	1		89	04064-01210	•• SNAP RING	1	
10	848F3R1601	REEDVALVE (S) ASSY	1		90	6470-31211	• BRACKET (A)	1	
11	848F3R16C0	• REEDVALVE	1		91	6470-31221	• BRACKET (B)	1	
12	4810-16130	• STOPPER	1		92	6470-31230	• CUSHION	1	
13	4810-16170	• SCREW, M3x8	1		93	4820-21310	• BOLT, M5x30	2	
14	848F3R16E0	PIRE AIR (S)	1		94	8488151210	• BOLT, M5x14	1	
15	848F3R1611	REEDVALVE (F) ASSY	1		95	4820-32120	SCREW, M5x16	3	
16	848F3R16C0	• REEDVALVE	1		96	848F3R31A0	COVER, engine	1	
17	4810-16130	• STOPPER	1		97	848F3R12G0	PLATE	1	
18	4810-16170	• SCREW, M3x8	1		98	4820-12350	SCREW, M5x10	2	
19	848F3R16F0	PIPE AIR (F)	1		99	4820-51110	SHOE	2	
20	848F3R16H0	GASKET, valve	2		100	4820-51220	SPRING	1	
21	8488141000	SCREW	6		101	1140-51250	SCREW	2	
22	4810-21101	CRANKCASE COMP.	1		102	1140-51230	WASHER	2	
23	2629-21130	• PIN	3		103	1140-51242	WASHER	2	
24	4810-21140	GASKET	1		104	848F3071C2	CAP	1	
25	06030-06001	BEARING	2		105	1900-72120	SPRING	1	
26	4810-21210	SEAL	1		106	4810-71240	CORD	1	
27	1850-21220	SEAL	1		107	4810-71250	CORD, earth	1	
28	04065-02812	SNAP RING	1		108	T1512-71320	TUBE	1	
29	4820-21310	BOLT, M5x30	3		109	3699-91867	PLUG, NGK CMR7H	1	
32	848F4041A0	PISTON	1		110	4810-72120	GROMMET	1	
33	8488C34101	RING	2		111	4810-75100	RECOIL ASSY	1	
34	8488B82800	PIN	1		112	4500-75120	• REEL	1	
35	1260-41320	RING	2		113	4500-75150	• SCREW	1	
36	T1551-41410	BEARING	1		114	1850-75130	• SPRING, spiral	1	
37	8488738002	WASHER	2		115	4500-75180	• COLLAR	1	
38	848F3R4200	CRANKSHAFT COMP.	1		116	4500-75190	• ARM	1	
39	1650-43230	NUT	1		117	4810-75160	• ROPE	1	
40	1000-43240	KEY	1		118	3330-75421	• KNOB	1	
41	4810-71110	ROTOR	1		119	4810-75170	• PLATE, stopper	1	
42	T1512-71200	COIL ASSY	1		120	4500-75210	PULLEY	1	
43	T1512-71220	• CORD	1		121	T1501-32120	SCREW, M5x16	2	
44	2616-71320	• CAP	1		122	4810-82100	BODY ASSY	1	
45	1260-71261	SPACER	2		123	4810-82130	• PLATE, choke	1	
46	4820-72150	BOLT, M4x22	2		124	5500-82140	• LEVER, choke	1	
47	848F4C8100	CARBURETOR ASSY	1		125	2630-33610	• SCREW	1	
48	848F600630	• REBUILD KIT	1		126	4810-82170	ELEMENT	1	
49	1850-81450	•• BODY ASSY	1		127	4820-12310	BOLT, M5x22	2	
50	4810-06021	•• GASKET KIT	1		128	848F408321	COVER ASSY	1	
51	848F4081G0	• BODY	1		129	5500-82221	• KNOB	1	
52	1850-81520	• COVER	1		130	848F348501	TANK ASSY	1	
53	1751-81510	• PUMP	1		131	T1015-85202	• CAP ASSY	1	
54	1751-81130	• RING	1		132	4500-85300	•• HOLDER ASSY	1	
55	1881-81140	• SWIVEL	1		133	4500-85220	•• PACKING	1	
56	1752-81110	• SCREW	2		134	5601-85260	•• FILTER	1	
57	5500-81120	• BRACKET	1		135	4820-85260	•• STOPPER	1	
58	1751-81180	• NUT	1		136	4810-85300	• PIPE COMP.	1	
59	8488361200	• SCREW	1		137	3302-85400	• FLTER ASSY	1	
60	1850-81530	• SCREW	4		138	1260-85460	• CLIP	1	
61	5500-81160	• WASHER	1		139	4820-85510	SCREW, M5x16	3	
62	8488330400	• SCREW	1		140	T1504-75411	LABEL, recoil	1	
76	4820-82310	SCREW, M5x60	2		141	848F6190B1	LABEL, cover	1	
77	848F401510	MUFFLER ASSY	1		142	848F4085Z0	GUARD	1	
79	4810-15140	• ARRESTER	1		143	4820-12130	BOLT, M5x22	2	
80	4820-15310	BOLT, M5x50	2		144	1950-86120	CLIP	1	